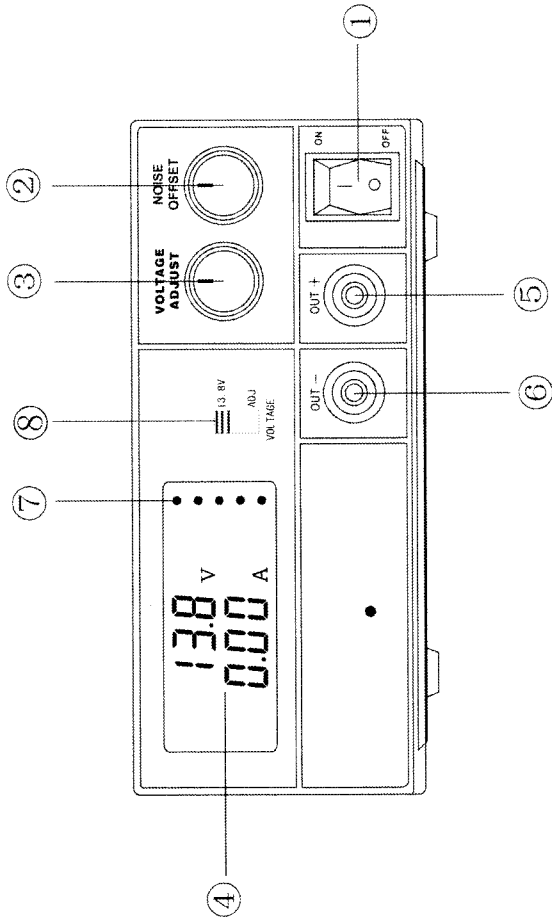


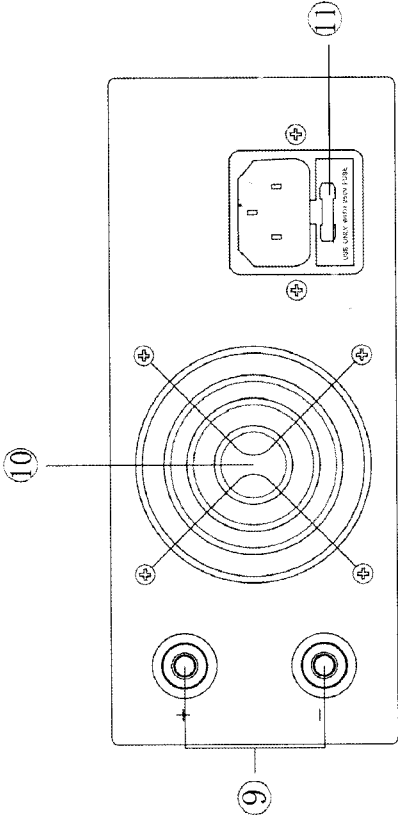
## INTRODUCTION

POW-111B is a high efficiency, compact, lightweight, high performance switching power supply. It is also engineered to minimize the noise specifically for the communication. Even when the noise occurs, it can be eliminated by the Noise-Offset control. Many convenient functions like voltage pre-set knob and a highly visible back lit meter are all included in this standard power supply.

## PART NAMES AND FUNCTIONS



1. **Power switch:** Turns the unit on and off.
2. **Noise off-set volume control.**
3. **Voltage Adjustment Knob.**
4. **3 Digital Meter:** Displays the voltage or current.
5. **Output Positive Terminal**
6. **Output Negative Terminal**
7. **Current indication**
8. **Output control switch**



9. **Output terminal:** 30A max; Red positive; black negative.
10. **Cooling fan**
11. **FUSE**

## SPECIFICATIONS

1. **input voltage:** 230VAC 50Hz
2. **output voltage:** 13.8VDC Adjusts voltage between 9.0 and 15.0 volts. Turn clockwise to increase and counter clockwise to decrease the voltage. When it is set at the center position it will supply 13.8 volts
3. **output voltage regulation:** less than 2%
4. **protection:** Short-circuit, Automatic current limiting  
With in 30A
5. **output current:** 30A (max), 20A (continuous)
6. **Ripple:** less than 80mVp-p at rated load
7. **fuse:** 5A
8. **Meter:** single volt/current meter, back-lit
9. **Dimensions:** 155(W) × 70(H) × 205(D)mm (Projections not included)
- 10 **Weight:** approx. 1.5kg